



## Overview

Lighting Tough Relay (LTR) is a UL Listed electrically operated mechanically held SPST latching relay. LTR is standard on Retrofit Interior (RI) and Relay Panel (RP) platforms. LTR may be ordered individually and field installed to expand circuit capacity.

## Features

UL Listed  
Compatible with RI, RK1, and RP  
Includes all mounting hardware  
30,000A @ 277VAC Short Circuit Current Rating

## General Specifications

Dimensions: 1.00"(25mm)H x 2.63"(67mm)W x 2.00"(51mm)D  
Weight: 2oz(59g)  
Mounting: (1) #4-40 screw (included), fastens to factory mounting points  
Operating Environment: 32-125°F (0-50°C), 20-95%RH, non-condensing

## Certifications

UL Listed component E-175678, US/Canada  
Maintains RI / RP UL Listing and all certifications

## Durability

Mechanical Life Operations: 1,000,000  
Full Load Operations: 300,000

## Warranty

Two (2) year limited manufacturer warranty from date of shipment  
(extended warranty optional)

## Relay Output Specifications

Contact Type: SPST latching with manual override lever  
Contact Operation: Electrically operated mechanically held, pulse driven  
Short Circuit Current Rating (SCCR): 30,000A @ 277VAC

### Maximum Ratings:

Tungsten 20A @ 347VAC  
Ballast 30A @ 347VAC  
Resistive 20A @ 347VAC  
1.5HP @ 120VAC

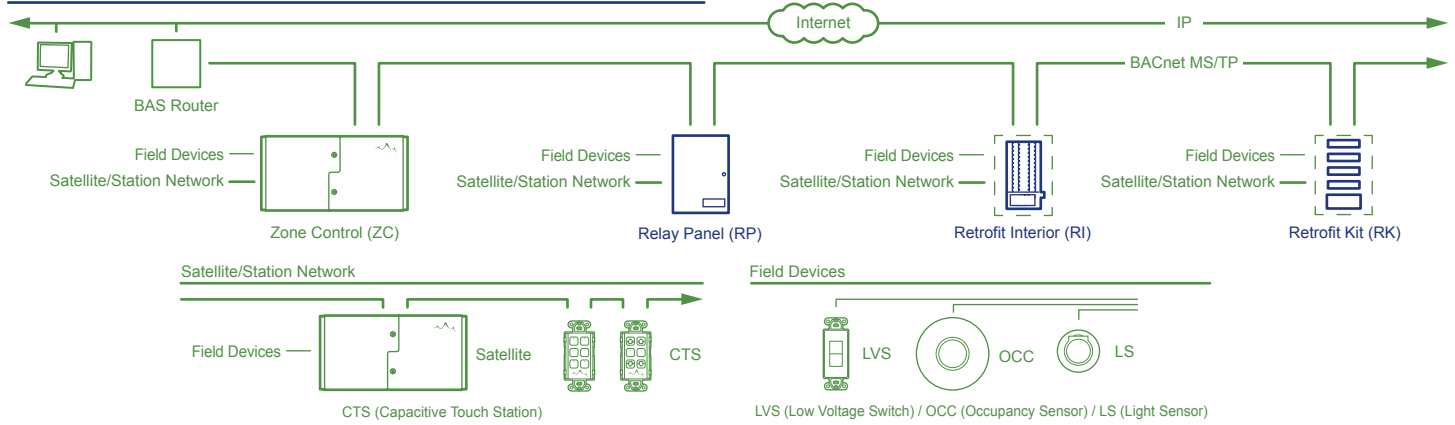
Load Terminal: Universal screw terminal, box type clamp  
Terminal Capacity (per side): (2) 14-10AWG or (1) 8AWG (Solid or Stranded copper wire)

# Lighting Tough Relay

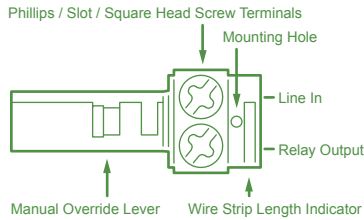
www.BRTint.com : 800-241-9173 Blue Ridge Technologies® © 2014 Blue Ridge Technologies International, LLC All Rights Reserved. LTR-DS-V14.05

Data Sheet : Catalog Page 81

## General Architecture



## LTR Terminations



## Ordering Information

Part Number	Description
LTR1	Lighting Tough Relay for field installation